



## Connect your non-DICOM modalities to the PACS network.

### Review dynamic images and cine loops outside the normal confines of modality workstations.

The DiCOM box CA+ is a universal DICOM interface that allows users to review dynamic images and cine loops outside the normal confines of modality workstations. The CA+ provides real time video acquisition and DICOM conversion from both monochrome and color video sources, capturing between ten seconds and several minutes of video data\*. Acquisition rates are selectable from 3.75 to 30 fps, and record modes include R wave trigger, prospective retrospective, start/stop and single frame capture.

The CA+ simplifies the connectivity process and provides cine acquisition, lossless and lossy image compression, DICOM Store, Print, Modality Worklist, Performed Procedure Step and Storage Commitment for ultrasound, fluoroscopic, cardiac and angiographic systems. The CA+ can be fully integrated to HIS/RIS using Modality Worklist.

*For additional information, contact NAI Tech Products Toll Free at 866-342-6629, or 530-887-1008.*

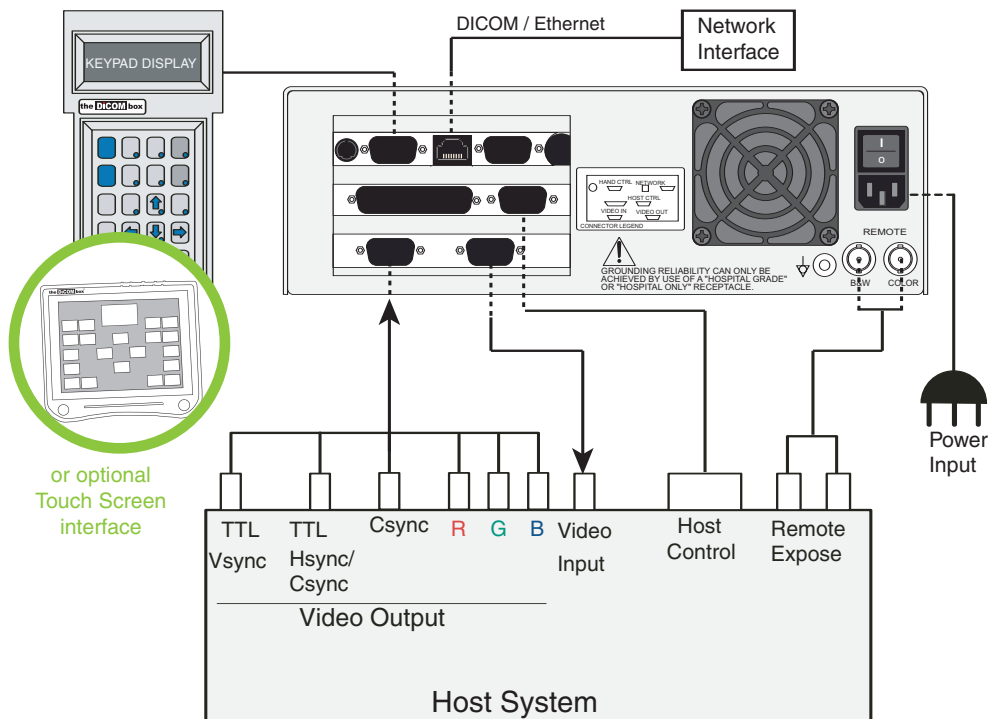
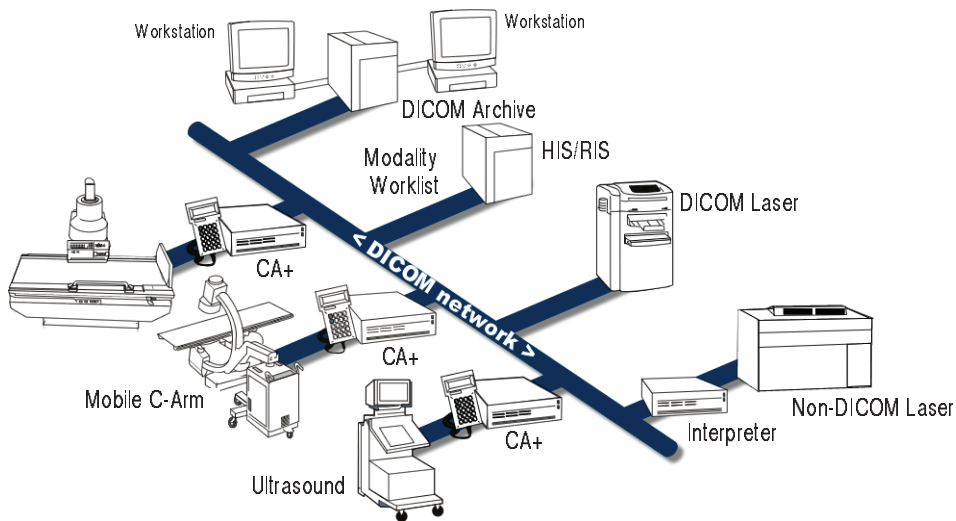
\*Maximum segment record length dependent on host video specification and frame rates.

### Features:

- Configurable DICOM Services
  - DICOM Print
  - DICOM Store
  - Modality Worklist
  - Modality Performed Procedure Step (MPPS)
  - Storage Commitment
- Optional TouchScreen Interface
- Real-time video acquisition
  - RGB color or monochrome
- R-wave trigger 1 to multiple cycles
- Prospective and retrospective record modes
  - from every frame to every seventh frame
- Playback review through host display or attached VGA/NTSC display (not included)
- DICOM compliant JPEG lossy compression or non-compressed transfer
- Interlaced or non-interlaced video input
- Software and option upgradability in the field
- Remote administration via telnet & FTP

# the DiCOM box

## CA+ - Cine to DICOM



12919 Earhart Avenue, Auburn, CA 95602 USA  
 Ph: 1-866-342-6629 • 1-530-887-1008 • Fax: 1-530-887-1108  
[www.dicombox.com](http://www.dicombox.com)

## Specifications

- **DICOM Service Classes (configurable)**
  - DICOM Print
  - DICOM Store
  - Modality Worklist
  - Modality Performed Procedure Step
  - Storage Commitment
- **Video Input (terminated, 75 ohms)**
  - Red, Green, Blue (RGB) and composite sync
  - Monochrome composite video on green video input
  - TTL composite or separate sync
  - Nominal 525/625 lines 30/25 fps
  - interlaced or non-interlaced
  - Pixel Clock Minimum: 7 MHz.
  - Pixel Clock w/o Playback Max: 80 MHz / RGB
  - 160 MHz Monochrome
  - Pixel Clock w/ Playback Max: 40 MHz / RGB
  - 120 MHz Monochrome
  - Image Matrix Max: 1600 x 2400 RGB & B/W
  - Video Output locked to video input, or VGA
- **Video Acquisition**
  - Maximum record length dependent on host video specs\*
  - 768MB video acquisition RAM
  - 30, 15, 10, 7.5, 6, 5, 4, 3 fps acquisition rates
- **Acquisition modes**
  - Retrospective, Prospective, Start Stop
  - R Wave Trigger - 1 to multiple cycles
- **Image Review**
  - Configurable for image playback through host display
  - Variable frame rate playback freeze frame to 30fps
- **Network**
  - Ethernet 10/100 base T - selectable
- **Image Compression**
  - JPEG lossy, or uncompressed
- **Connectors**
  - Video I/O High Density DB15, Female pins
  - Network: 8 pin modular jack (RJ45)
  - Operator Interface Keypad: DB9, Male pins
  - Host Control Input: DB9, Male pins
  - Remote Capture Input: BNC, Female pins
- **Power Input**
  - 115-230 Volts,  $\pm 15\%$  47-63 Hz, 120 VA
- **Physical Characteristics**
  - Module**
    - Height: 3.25 inches (8.25 cm)
    - Width: 10.125 inches (25.72 cm)
    - Depth: 14.125 inches (35.88 cm)
    - Weight: 8 pounds (3.68 kg)
- **Environmental Operating**
  - Temperature: +50°F to +104°F, (+10°C to +40°C)
  - Barometric pressure: 700 hPa to 1060 hPa
  - Relative Humidity: 5% to 80% non condensing
- **Transit**
  - Temperature: +14°F to +122°F (-10°C to +50°C)
  - Relative Humidity: 5% to 85% non condensing
- **Clearance Requirements**
  - 3 inches (7.6cm) for rear panel cable connection
  - Do not obstruct ventilation airflow at front and rear of module
- **Agency Approvals / Classification**
  - UL 2601-1; IEC601-1; IEC601-1-2
  - CSA601.1
  - FCC part 15

\*Contact NAI regarding limitations and availability